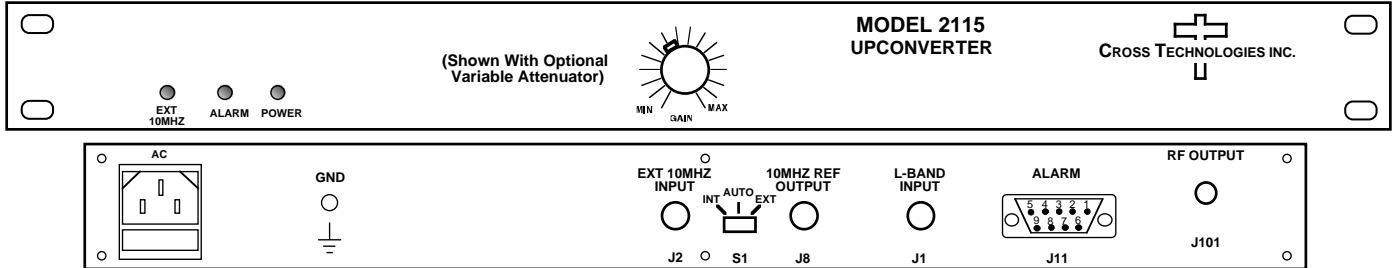


2115-109# Block Upconverter, 10.70 - 11.7 GHz

The 2115-109# Block Upconverter converts **0.70 - 1.7 GHz** to **10.70 - 11.7 GHz** with a local oscillator at 10.0 GHz. Front panel LEDs provide indication of DC Power, External 10 MHz, and PLL Alarm. The L-band to RF gain is +20 dB. Connectors are SMA female for the RF and BNC female for the L-Band and external reference input and reference output. A three-way switch controls which 10 MHz reference is being used. In the INT position, the internal reference is used, in the EXT position, the external reference is used, and in the AUTO position, the internal reference is used unless a +3 dBm ± 3 dB, 10MHz reference signal is connected to the external reference input. The 2115 is powered by a 100-240 ± 10% VAC power supply, and mounted in a 1 3/4" X 19" X 14" rack mount chassis.



Front and Rear Panels

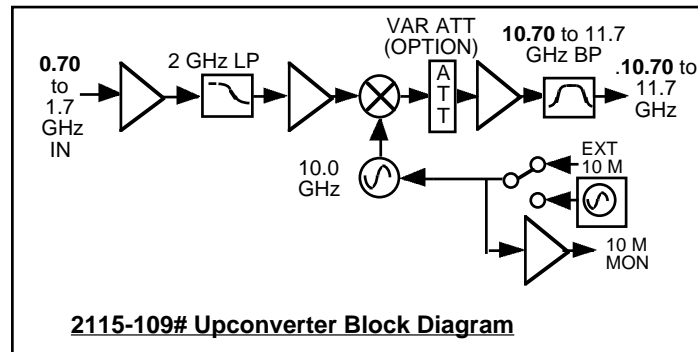
EQUIPMENT SPECIFICATIONS*

Input Characteristics

Impedance/Return Loss 50Ω/14 dB
 Frequency **0.70 to 1.7 GHz**
 Noise Figure, Max. 20 dB max gain
 Input Level range -40 to -25 dBm
 Input 1 dB compression -15 dBm

Output Characteristics

Impedance/Return Loss 50 Ω /14 dB
 Frequency **10.70 to 11.7 GHz**
 Output Level Range -20 to -5 dBm
 Output 1 dB compression +5 dBm



2115-109# Upconverter Block Diagram

Channel Characteristics

Gain +20 ±1 dB, (+20 to +5 dB continuously variable with **Variable Attenuator - Option VA**)
 Image Rejection > 60 dB, min
 Spurious, Inband SIGNAL RELATED<-60 dBc in band, -5 dBm out; SIGNAL INDEPENDENT,<-60 dBm
 Spurious, Out of band <-50 dBm
 Intermodulation <-50 dBc for two carriers each at -10 dBm out
 Frequency Response ±1 dB, **10.70 - 11.7 GHz** out; ± 0.5 dB, 40 MHz BW
 Frequency Sense Non-inverting

LO Characteristics

LO Frequency 10.0 GHz
 Frequency Accuracy ± 0.01 ppm max over temp internal reference; ext. ref. input
 10 MHz level +3 dBm, ± 3 dB, 75 ohms, External In or Internal out

Phase Noise @ F (Hz) >	100	1K	10K	100K	1M
dBC/Hz	-70	-80	-85	-100	-110

Controls, Indicators

Attenuator Option -VA Provides +20 to +5 dB continuously variable gain via front panel variable potentiometer.
 Ext 10 MHz Yellow LED, indicates external 10 MHz reference selected (rear panel DPDT switch)
 PLL Alarm Red LED, External contact closure
 Power Green LED

Other

RF Connector SMA (female), 50Ω
 L-Band Connector BNC (female), 50Ω
 10 MHz connectors BNC (female), 75Ω Connector; Works for 50Ω or 75Ω
 Alarm Connector DB9 - NO or NC contact closure on Alarm
 Size 19 inch Standard Chassis 1.75" high X 14.0" deep
 Power 100-240 ±10% VAC, 47 - 63 Hz, 25 watts max.

Available Connector Options

M - 50Ω N-type (RF), 50Ω BNC (L-BAND)
 N - 50Ω N-type (RF), 75Ω BNC (L-BAND)
 NF - 50Ω N-type (RF), 75Ω F-type (L-BAND)
 NN - 50Ω N-type (RF), 50Ω N-type (L-BAND)
 S7 - 50Ω SMA (RF), 75Ω BNC (L-BAND)
 SF - 50Ω SMA (RF), 75Ω F-type (L-BAND)
 SN - 50Ω SMA (RF), 50Ω N-type (L-BAND)
 SS - 50Ω SMA (RF), 50Ω SMA (L-BAND)

*+10 to +40 degrees C; Specifications subject to change without notice.